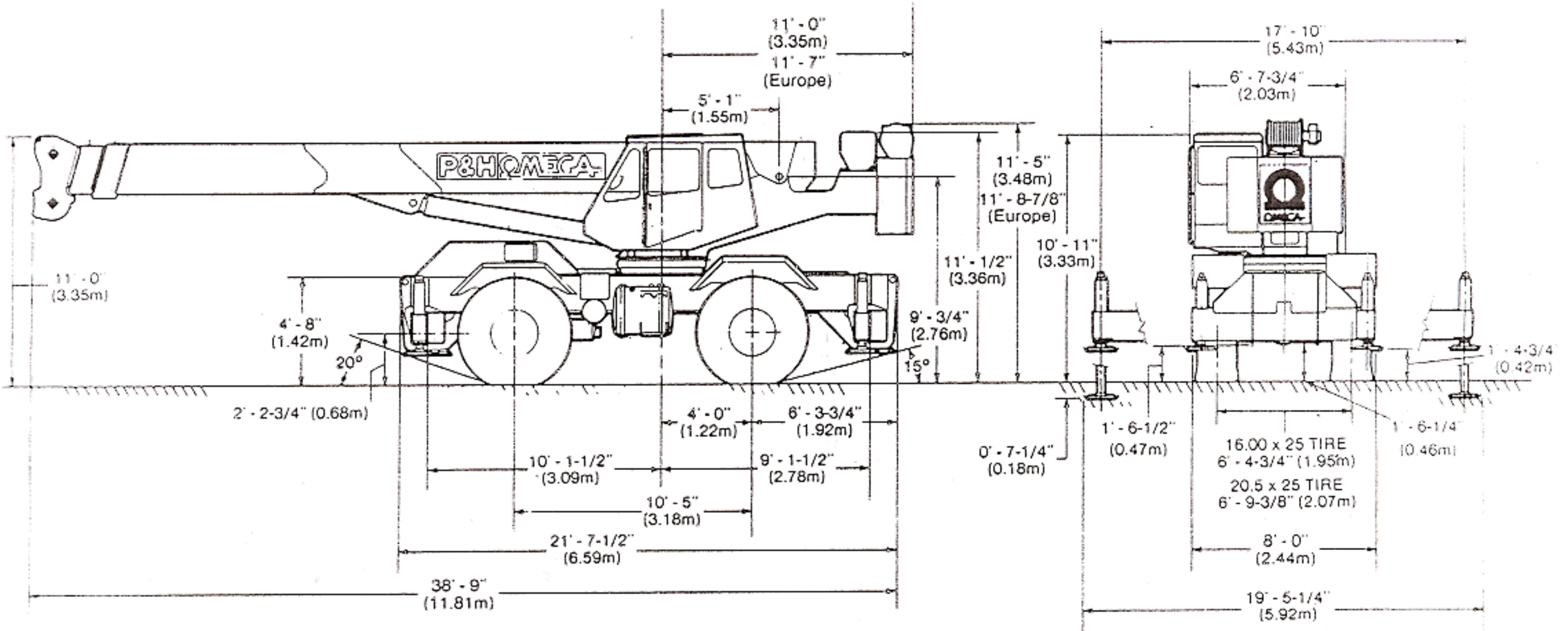


# dimensions

TIRES

	16.00 x 25	20.5 x 25
VEHICLE TURNING DIAMETER -4-WHEEL STEER CRAMP	37' - 10-1/4" (11.53m)	38' - 2-3/4" (11.65m)
-FRONT AXLE STEER	64' - 4-7/8" (19.63m)	64' - 9-1/2" (19.74m)
VEHICLE CLEARANCE DIAMETER -4-WHEEL STEER CRAMP	47' - 11-1/4" (14.61m)	42' - 9-5/8" (13.04m)
-FRONT AXLE STEER	69' - 4-3/4" (21.15m)	69' - 4-3/4" (21.15m)



105J1266 Rev

**VEHICLE WEIGHTS:** Include standard engine, standard boom (forward in travel position), standard main winch and cable, standard tires, 50 gals. (189 L.) fuel, 124 gals. (469 L.) hydraulic oil, oil cooler, fenders and counterweight.

	G.V.W.	Front Axle	Rear Axle
	53,290 lb. (24,172 kg)	26,610 lb. (12,070 kg)	26,680 lb. (12,102 kg)
Effect on axle loads by adding these items:			
Auxiliary winch with cable, cwt.	0	- 397 lb. (180 kg)	+ 397 lb. (180 kg)
20.5 x 25-20 ply tires	+282 lb. (128 kg)	+141 lb. (64 kg)	+141 lb. (64 kg)
Boom extension (stored)	+898 lb. (407 kg)	+1458 lb. (661 kg)	- 560 lb. (254 kg)
Jib (stored)	+1078 lb. (489 kg)	+1470 lb. (567 kg)	- 392 lb. (178 kg)
Auxiliary sheave (with mounting)	+84 lb. (38 kg)	+260 lb. (118 kg)	- 176 lb. (80 kg)
8.5 ton weighted hook	+220 lb. (100 kg)	+668 lb. (303 kg)	- 448 lb. (203 kg)
10 ton hook block	+342 lb. (155 kg)	+1039 lb. (471 kg)	- 697 lb. (316 kg)
25 ton hook block	+425 lb. (193 kg)	+1291 lb. (586 kg)	- 866 lb. (393 kg)
Propane heater with tank	+68 lb. (31 kg)	01 lb. 0	+69 lb. (31 kg)
Diesel heater	+43 lb. (19 kg)	0	+43 lb. (19 kg)