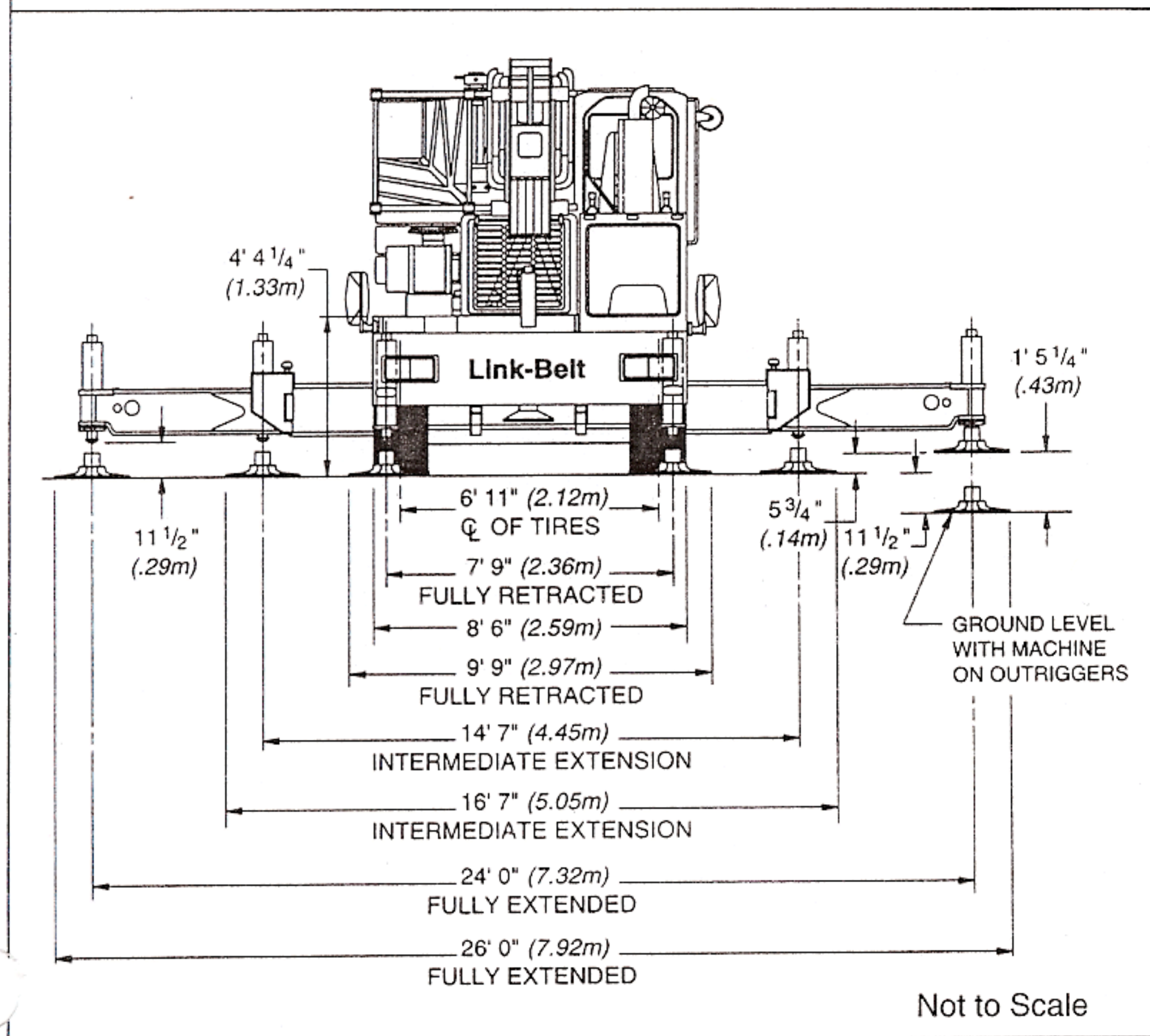
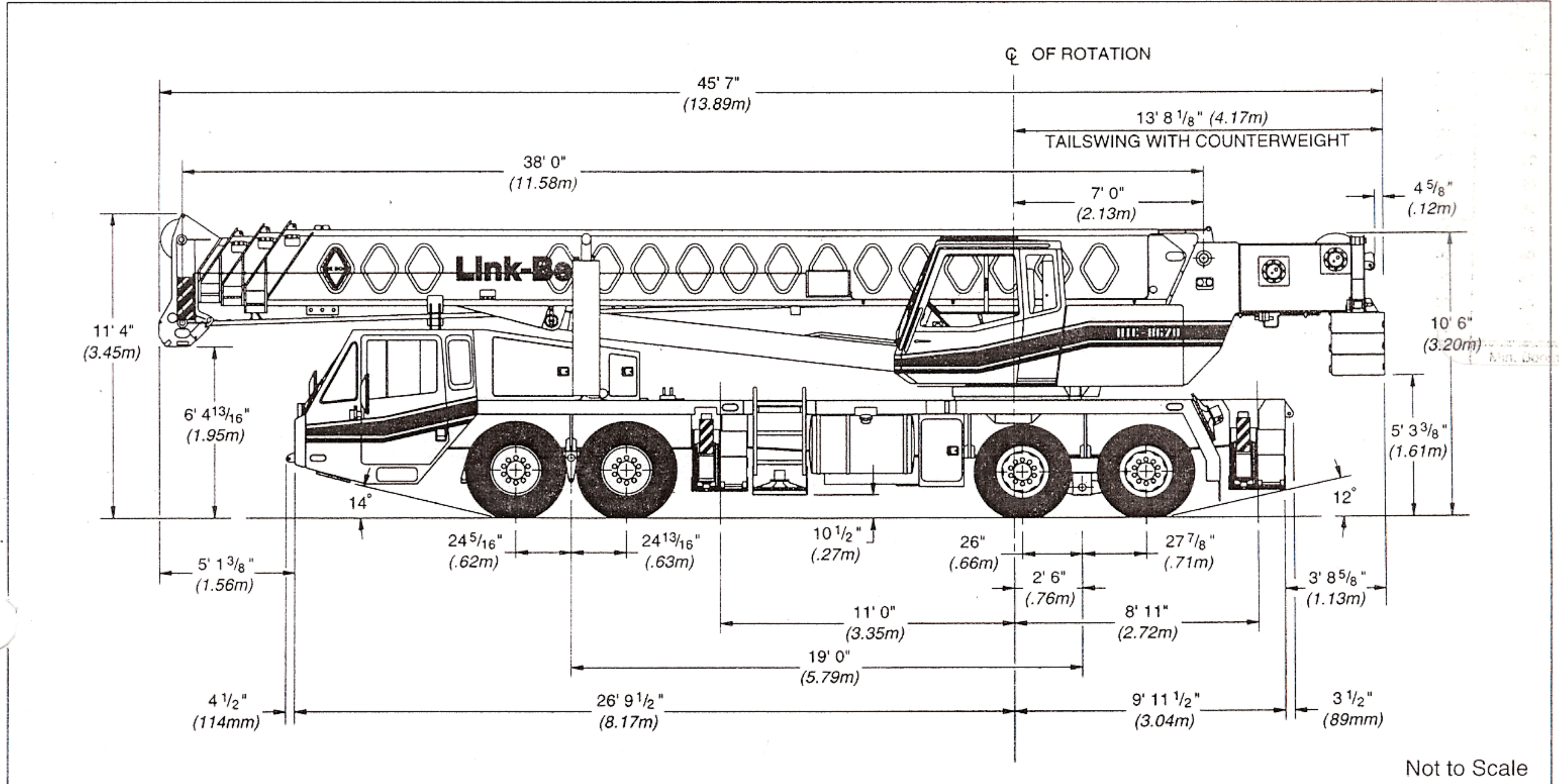


# Specifications

Hydraulic Truck Crane

## HTC-8670

70-ton (63.5 metric ton)



General Dimensions	feet	meters
Turning radius (centerline to centerline of tires)	51' 0"	15.54
Turning radius (curb to curb)	51' 9"	15.77
Turning radius (wall to wall)	55' 6"	16.92
Ground clearance	10-5/16"	.26
Tailswing	13' 9"	4.19